



Workholding Systems MC 125

Mechanically operated, concentric clamping, 3 designs

Jaw width 125 mm, clamping force 35 kN, clamping stroke 100 mm



Advantages

- Compact design
- High precision and accuracy of the manufactured workpieces by high rigidity
- Large clamping strokes
- Sturdy design and good swarf protection
- Three versions for optimum adaptation to the production process
- Extensive range of jaws
- Clamping of raw and finished parts without retrofitting
- Easy to maintain

Technical data

Operation:	mechanical
Clamping:	concentric
Width:	125 mm
Clamping force:	35 kN at 200 Nm
Clamping stroke:	100 mm

Application

The mechanical workholding systems MC 125 are especially advantageous for 5-axis machining.

The compact design allows a good accessibility of the tools to the workpiece.

Collision-free tool paths and a 5-sided workpiece machining can be achieved with short standard tools.

Accessories

See data sheet 5.358-Z

- Clamping jaws, jaw inserts
- Accessories for mounting, positioning and operation
- Rapid change block Quintus

Description

Workholding systems of the MC 125 series excel by a very compact design and large clamping strokes.

Thanks to the adjusting spindle arranged in the upper part of the housing, deformation in the base during clamping is reduced to a minimum. Thus, a high rigidity of the workholding system is obtained.

Combined with the sturdy and hardened steel base, high precision and accuracy of the finished workpieces will be achieved.

The workholding systems MC 125 are already prepared for use on zero point clamping systems. For this purpose, there are 3 location threads for draw-in nipples at the bottom side of the housing.

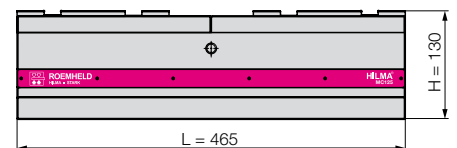
For workholding systems MC 125, a wide range of clamping jaws is available (see data sheet 5.358-Z).

Designs

3 designs with different length L and overall height H are available for an optimum adjustment of the workholding system MC 125 to the workpiece and the manufacturing process.

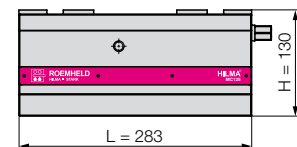
Design: Standard

Overall length L: 465 mm
Height H: 130 mm



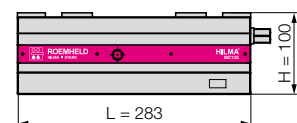
Design: Compact

Overall length L: 283 mm
Height H: 130 mm

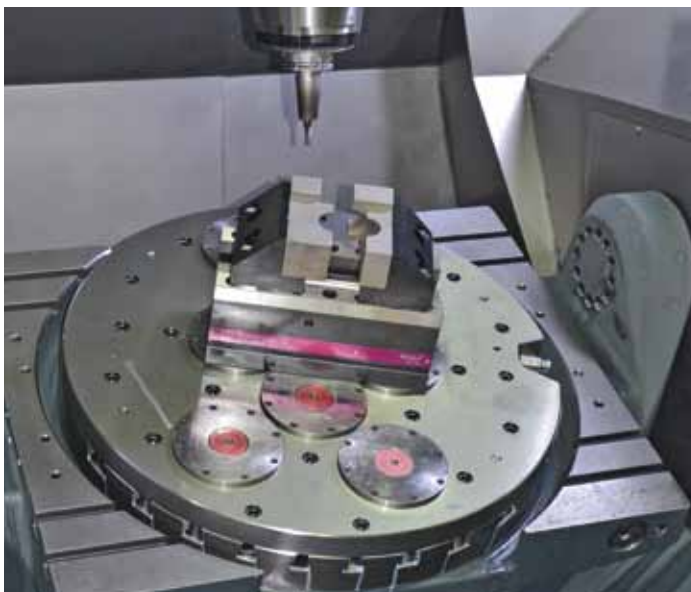


Design: Compact "F"

Overall length L: 283 mm
Height H: 100 mm



Application example



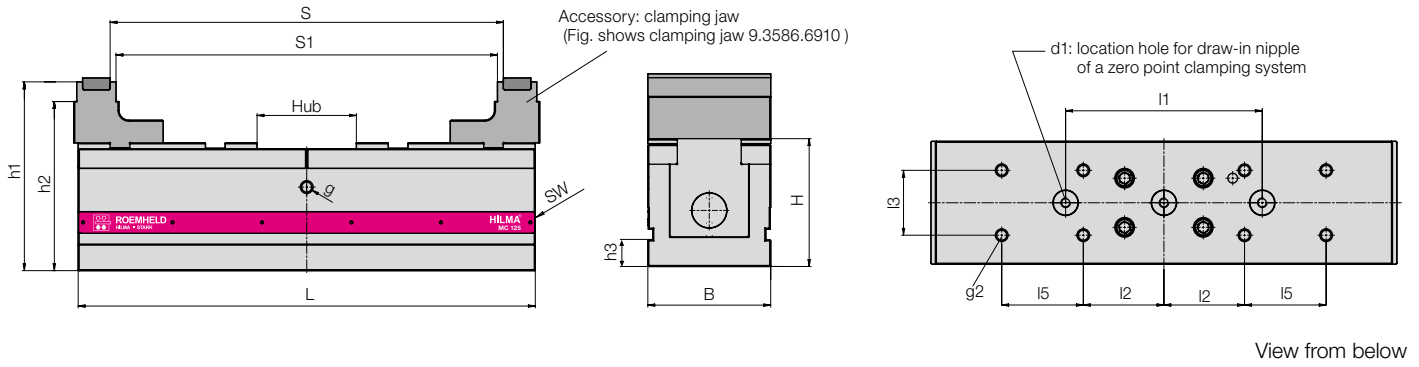
Workholding system MC 125 with workpiece-specific base jaw and form jaw used on a 5-axis machining centre.

Technical data

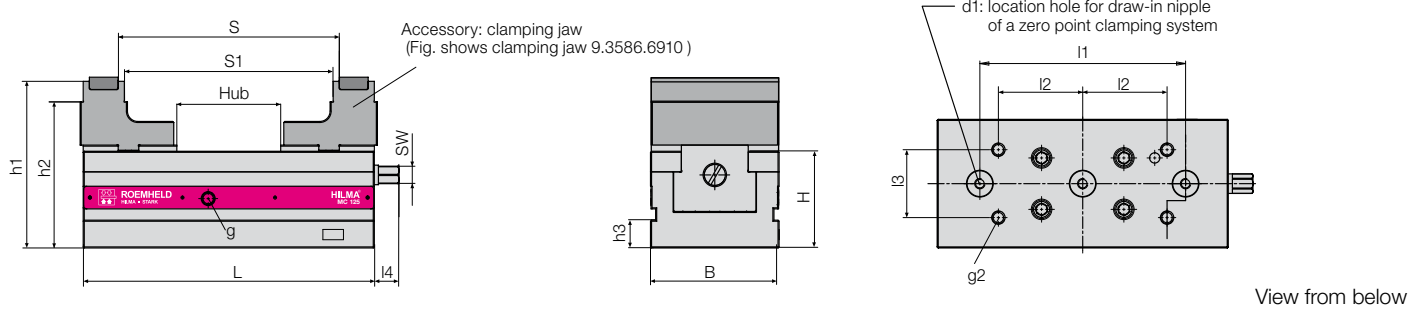
Dimensions

Dimensions

MC 125 Standard



MC 125 Compact / Compact "F"



Type		MC 125	MC 125	MC 125
Design		Standard	Compact	Compact "F"
L	[mm]	465	283	283
B	[mm]	125	125	125
H	[mm]	130*	130*	100*
Stroke	[mm]	100	100	100
S	[mm]	15 – 400	15 – 215	15 – 215
S1	[mm]	6 – 388	6 – 203	6 – 203
SW		19	17	17
d1	[mm]	25+0.01/M10x18	25+0.01/M10x18	25+0.01/M10x18
g on both sides	[mm]	M12x16	M12x16	M12x16
g2	[mm]	M12x16	M12x16	M12x16
h1	[mm]	192	192	162
h2	[mm]	172	172	142
h3	[mm]	27	27	27
I1	[mm]	200*	200*	200*
I2	[mm]	82	82	82
I3	[mm]	66	66	66
I4	[mm]	–	24	24
I5	[mm]	83	–	–
Weight without clamping jaws	[kg]	50	31	22.4
Part no. without clamping jaws		9.3586.0304	9.3586.0601	9.3586.0501
Part no. with clamping jaws 9.3586.6910		9.3586.1304	9.3586.1601	9.3586.1501

*Tolerances: ±0.01 mm