

Applications:

Automatic clamping of dies

- on press rams
- on hold-down devices
- at max. ambient temperatures of 70°C

Function:

The rotation of the motor is converted into a swivelling movement and a stroke of the tie rod by the flexspine gear and the lead screw. For clamping, the tie rod is swivelled by 90°, starting at the unclamping position, and pulled towards the clamping position.

The clamping force and the clamping and unclamping positions are monitored by inductive proximity switches. The clamping force is maintained by self-locking.

Special features:

- ◆ clamping stroke up to 15 mm, which means high adaptability to varying heights of clamping edges
- ◆ position monitoring and an automatic cycle ensure high operational reliability
- ◆ central operation of all clamping elements
- ◆ compact design, rugged construction
- ◆ variable length of tie rod
- ◆ resistant to high mechanical loads
- ◆ shock-resistant up to a max. ram acceleration of 12 g
- ◆ suitable for retrofit and for installation in original equipment

Electromechanical swivel and pull clamping elements mounted on a transfer press.



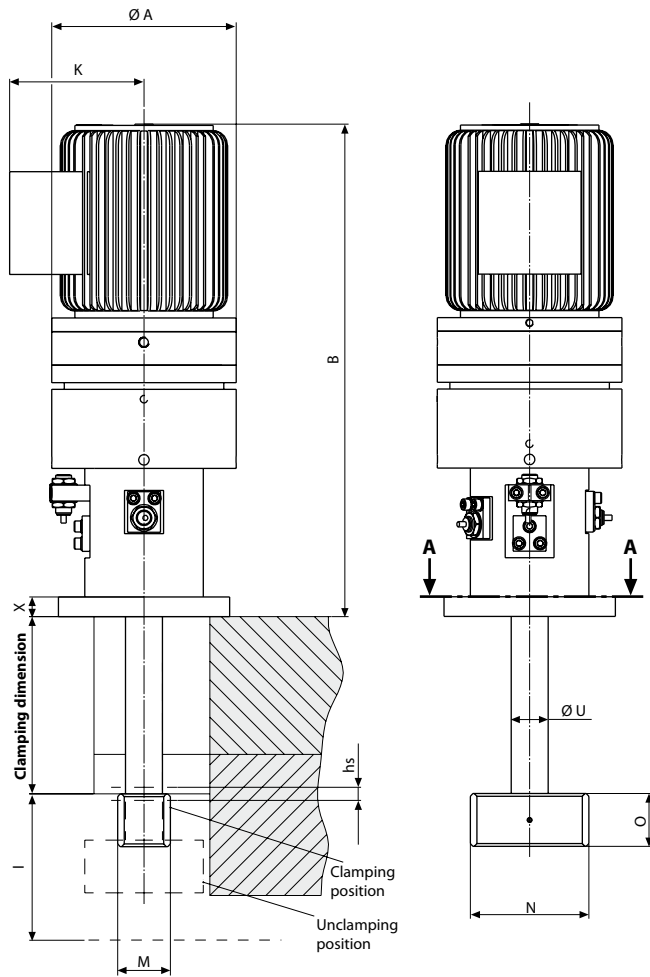


Swivel and pull clamping element electromechanical

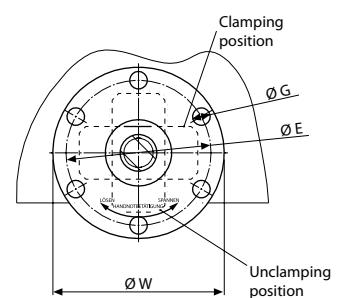
Technical data

Type	8.2643.0101	8.2645.0101	8.2646.0101
Clamping force (kN)	70	120	160
Max. static force (kN)	110	200	300
Clamping speed (mm/s)	3,8	5,7	4,1
Connected motor voltage V/Hz	400/50	400/50	400/50
Motor rating (kW)	0,55	1,1	1,1
Rated motor current (A)	2,1	3,55	3,55
A (mm)	140	160	195
B (mm)	374	441	500
E (mm)	110	140	160
G (mm)	13,5	13,5	13,5
Clamping stroke h_s (mm)	10	10	15
Swivelling stroke (mm)	25	30	40
Installation space I (mm)	90	115	135
K (mm)	102,0	112,5	112,5
M (mm)	40	50	60
N (mm)	90	90	90
O (mm)	40	60	65
U (mm)	28	40	40
W (mm)	130	160	180
X (mm)	15	20	20

Clamping dimension to be quoted in the order



Section A-A



Other clamping dimensions, clamping forces and motor voltages are available on request

Terminal connections

