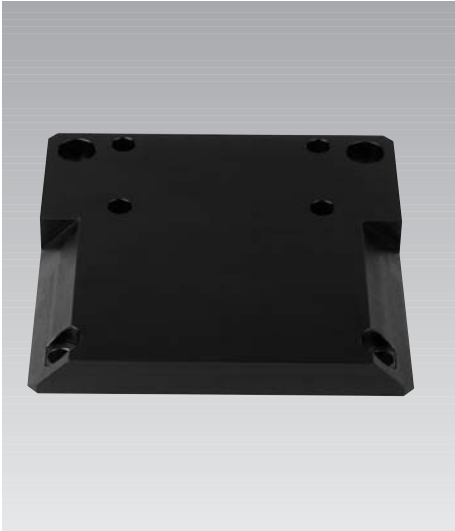


## Adaptor plates for *modulog* interfaces

### Adaptor plate DMH-140



#### Advantages

- *modulog* interface
- Simple vertical mounting of the rotating module - horizontal axis DMH
- Simple mounting
- Standard plate

#### Application

The adaptor plate DMH-140 allows vertical mounting of the rotating module - horizontal axis DMH on modules with a *modulog* interface 140 x 140.

#### Material

Steel, black oxide

#### Note

The fixing screws M10 are not included in our delivery.

### *modulog* Adaptor plate

Part-no. 6311-326



#### *modulog* interface

- 140 x 140 mm – M10

#### Mounting scheme - example



Rotating module - horizontal axis DMH with interface  
**95 x 50 mm – M10**

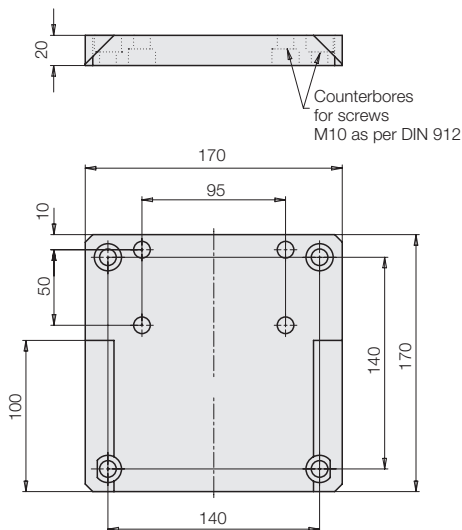


Adaptor plate **DMH140**



Lifting module with top plate interface  
**140 x 140 – Ø 10.5 mm**

#### Dimensions



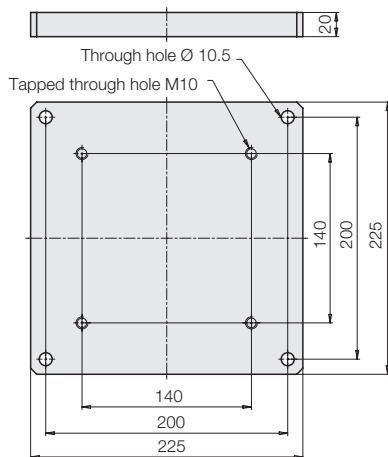
#### Application example



Rotating module - horizontal axis DMH 200 vertically mounted on a lifting module Twin-Strong



### Adaptor plate 140-200



#### Advantages

- Simple mounting of *modulog* modules with different interfaces
- Simple mounting
- Standard plate

#### Application

By means of the adaptor plate 140 – 200 modules with a 140 x 140 mm *modulog* interface can be mounted onto a 200 x 200 mm *modulog* interface.

For example a rotating module - vertical axis on a cart or floor module.

#### Material

Steel, black oxide

### *modulog*

#### Adaptor plate



Part-no. 6311-417

#### *modulog* interface

- 140 x 140 mm – M10
- 200 x 200 mm – Ø 10.5 mm

#### Mounting scheme - example



Rotating module - vertical axis DMV with interface  
**140 x 140 mm – Ø 10.5**



Adaptor plate **140 – 200**

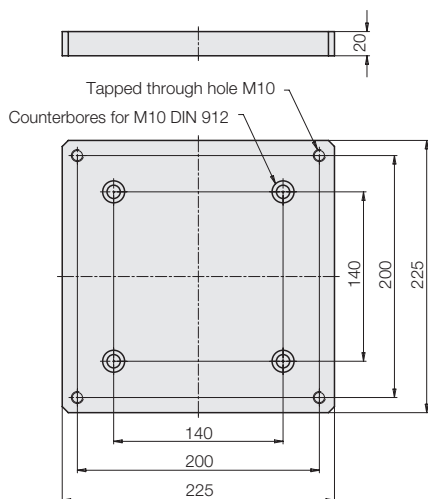


Cart module WMS with interface  
**200 x 50 mm – M10**

#### Note

The fixing screws M10 are not included in our delivery.

### Adaptor plate 200 – 140



#### Advantages

- Simple mounting of *modulog* modules with different interfaces
- Simple mounting
- Standard plate

#### Application

By means of the adaptor plate 200 – 140 modules with a 200 x 200 mm *modulog* interface can be mounted onto a 140 x 140 mm *modulog* interface.

For example a lifting module on a rotating module - vertical axis.

#### Material

Steel, black oxide

### *modulog*

#### Adaptor plate



Part-no. 6311-423

#### *modulog* interface

- 200 x 200 mm – M10
- 140 x 140 mm – Ø 10.5 mm

#### Mounting scheme - example



Lifting module with pase plate interface  
**200 x 200 mm – Ø 10.5**



Adaptor plate **200 – 140**



Rotating module - vertical axis DMV with interface  
**140 x 140 – M10**

#### Note

The fixing screws M10 are not included in our delivery.