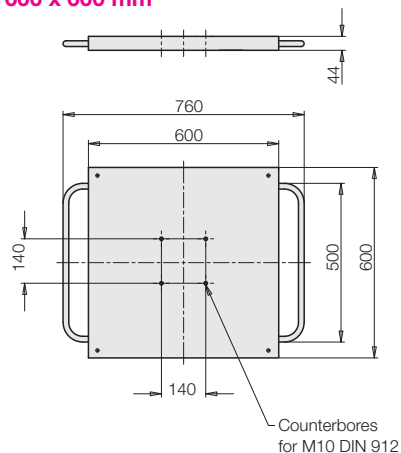




Table Plate with one *modulog* Interface with or without handles

Steel table plate with 2 handles – 600 x 600 mm



Application

Table plate with two handles for example to move the lifting carts.

Principal use

- Workpiece carriers
- Height-adjustable working tables
- Assembly carts
- Rotatable assembly working plates

Advantages

- Very stable version
- Integrated sturdy handles
- *modulog* interface

Material

Table plate: Stainless steel, bright surface
 Handles: Steel profile, welded, black-lacquered

Notes

The fixing screws M10 are completely covered below the steel sheet plate and are not included in our delivery.

Length of the screws = 3 mm + screw-in depth.

modulog Table plate



Part-no. 6505-040

Technical characteristics

Maximum load: 6,000 N centric

Combinable with the modules

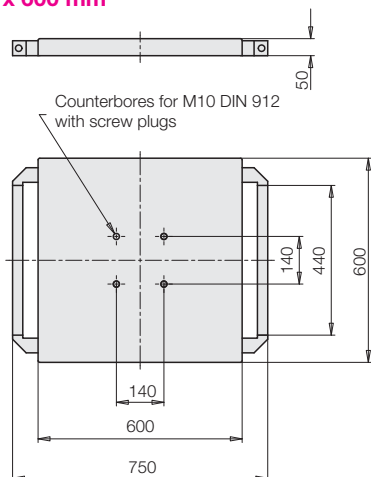
- Rotating module – vertical axis DMV 1000 as per data sheet M 3.101
- Lifting modules as per data sheet M 4.XXX



modulog interface

- centric 140 x 140 - Ø 10.5 mm

Wodden table plate with 2 handles – 600 x 600 mm



Application

Table plate with two handles for example to move the lifting carts.

Principal use

- Workpiece carriers
- Height-adjustable working tables
- Assembly carts
- Rotatable assembly working plates

Advantages

- Stable and stylish version
- Integrated sturdy handles
- *modulog* interface

Material

Table plate: Multiplex beech, 50 mm, surface clear coated
 Handles: anodized aluminium

Application example



Wooden table plate – mounted on the lifting module Shop-Floor and cart module WMS

modulog Table plate



Part-no. 6505-051

Technical characteristics

Maximum load: 2,000 N centric

Combinable with the modules

- Rotating module – vertical axis DMV 1000 as per data sheet M 3.101
- Lifting modules as per data sheet M 4.XXX



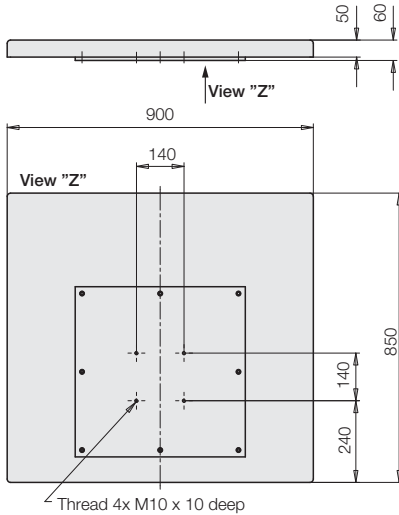
modulog interface

- centric 140 x 140 - Ø 10.5 mm

Note

The fixing screws M10 are not included in our delivery.
 Length of the screws = 35 mm + screw-in depth.
 Screw plugs for the counterbores are included in our delivery.

Wooden table plate with steel strengthening, without handles – 900 x 850 mm



Advantages

- Strengthened and stylish version
- *modulog* interface

Material

Table plate: Multiplex beech, 50 mm, surface clear coated
 Reinforcing plate: steel lacquered

Note

The fixing screws M10 are not included in our delivery.

Application

Table plate with radiused edges and eccentric *modulog* interface.

Supported by a reinforcing plate made of steel for high loads.

Fields of application are, for example, industrial applications with standing work places.

Principal use

- Ergonomic assembly places
- Height-adjustable working tables

modulog Table plate



Part-no. 6505-050

Technical characteristics

Maximum load: 4,000 N centric

Combinable with the modules

- Rotating module – vertical axis DMV 1000 as per data sheet M 3.101
- Lifting modules as per data sheet M 4.XXX



modulog interface

- eccentric 140 x 140 mm - M10