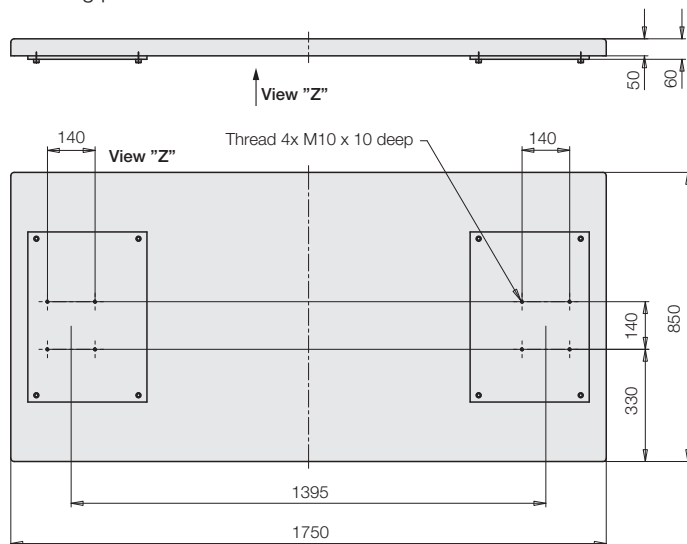


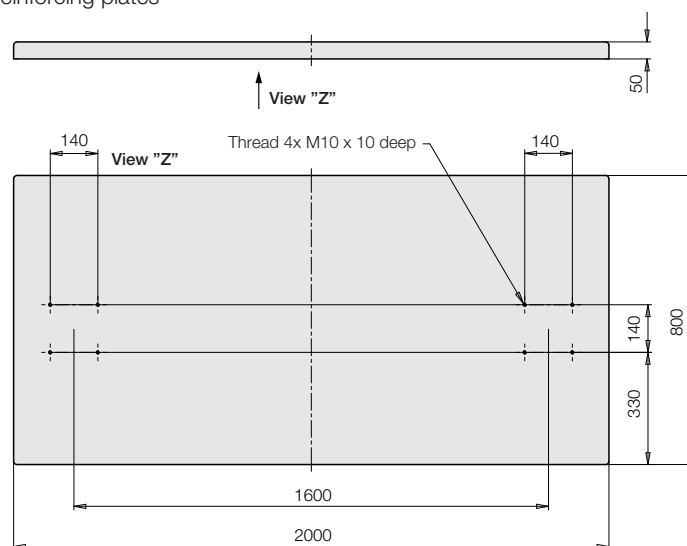


Table plate with two *modulog* interfaces

Wooden table plate with steel strengthening – 1750 x 850 mm with reinforcing plates



Wooden table plate – 2000 x 800 mm with reinforcing plates



Application

Table plate with radiused edges and two eccentric *modulog* interfaces.

Supported by a reinforcing plate made of steel for high loads.

Fields of application are, for example, industrial applications with standing work places.

Principal use

- Ergonomic assembly places
- Height-adjustable working tables

Advantages

- Strengthened and stylish version
- *modulog* interfaces

Material

Table plate:	Multiplex beech, 50 mm, clear coated
Reinforcing plate:	steel lacquered

Note

The fixing screws M10 are not included in our delivery.

modulog Table plate



Part-no. 6505-060

Technical characteristics

Maximum load: 4.000 N
plane

Combinable with the modules

- Lifting modules as per data sheet M 4.301



modulog interfaces

- eccentric 2 off 140 x 140 mm - M10

modulog Table plate



Part-no. 6505-061

Technical characteristics

Maximum load: 3.000 N
plane

Combinable with the modules

- Lifting modules as per data sheet M 4.301



modulog interfaces

- eccentric 2 off 140 x 140 mm - M10

Application example



Height-adjustable working tables composed by the table plate 1750 x 850 m, two electrically-operated lifting modules Shop-Floor with supply unit and the floor module FMD 800.