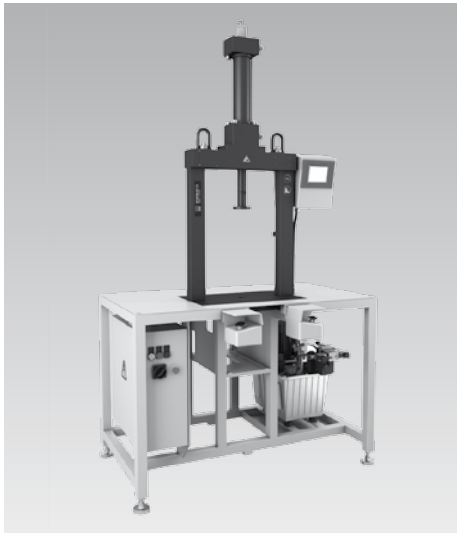




Press-In Device in Portal Design

Hydraulic drive, max. press-in force 40 to 100 kN
 Rapid/creep speed with force/stroke monitoring



Application

These press-in devices are preferably used in assembly processes for the production of longitudinal pressed joints, riveted joints as well as for pressing out and testing of components.

Principal use

- Drive technology, gears box assembly
- Couplings, cardan shafts
- Compressors, pumps, hydraulic elements
- Industrial fittings
- Mechanical engineering
- Components for construction and agricultural machinery
- Electronics

Operation

For safety reasons, the press-in device is equipped with a two-hand operation. This has a divided design (two separate push-buttons) to allow workpiece feeding from the front. Alternatively, it is also possible to provide safety light grids or a protective covering. In such applications, function triggering is made by a push-button.

Available on request:

- Workplace lighting
- Interface to higher-level control
- Aluminium profile table frame
- Customised program sequence
- Tool holders
- Joining tools
- Automatic data record selection by sensors
- Bar code scanner for data record selection

Advantages

- High forces / rigid frames
- No cost and time-consuming project planning
- Easy retrofitting of functions or components
- Standardized drilling patterns for workpiece and tool holders provided by the customer
- Interchangeability of the individual elements by standardized drilling patterns
- Ergonomically designed operation
- Closed adhesion
- Reduction of assembly time
- Process safety
- Sales of individual components
- Plug & Play
- High degree of operator friendliness

Description

The base frame is designed as a working table. Below the table plate there is the electric control and the power unit that control the hydraulic press-in cylinder at the portal.

The steel base plate of the portal frame is installed flush with the table plate in the working table, so that the working surface is plane and edges are avoided.

On the base plate any workpiece carriers such as sliding tables can be mounted.

The piston rod of the press-in cylinder is equipped with a quick-changing device, at which the press-in tools can be mounted. This can optionally be replaced by other tool holders.

Thanks to the modular design, the functions of the control as well as mechanical components can be easily exchanged or retrofitted.

The stroke measurement is made by a stroke measuring system integrated in the hydraulic cylinder.

The force measurement (control variant 2) is made indirectly by a strain sensor at the press-in frame.

modupress

Press-in device



Part no. 6421-0XX-XXX

Technical data

Max. press-in force: 40, 63, 100 kN
 Stroke: 100, 200, 300, 400 mm
 Drive: hydraulic
 Frame type: portal

Control variant 1

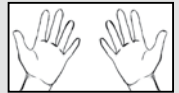
Rapid/creep speed control

Control variant 2

Rapid/creep speed control with stroke/force monitoring

Operations

- Two-hand operation
- Start button (for version with safety light curtain)



Data interfaces

- Ethernet / SD card / USB

modupress interfaces

- Base plate: 140x140 – 4xM10, 2xØ 18H7, 1xØ 50H7
- Tool holder: In the bolt circle Ø 84 mm 4 counterbores M6

Accessories

- Workpiece feeders as per data sheet P 9.100
- Protection cabins as per data sheet P 9.200
- Change tools as per data sheet P 9.300

Control variants

The press-in devices are available by default with two control variants.

Control variant 1 (rapid/creep speed) or control variant 2 (force/stroke monitoring).

Input and output functions

Control variant 1

Rapid/creep speed

Touch panel, 4 inch (other sizes on request)

- Setting mode and normal operation
- Select "Join to force" or "Join to position"
- Variable rapid/creep speed control by using a frequency converter
- Indication of the maximum press-in force or the position
- Hold time after joining
- Return position to return stroke limitation
- Management of the parameters in freely selectable records
- Evaluation of system errors

Control variant 2

Rapid/creep speed with force/stroke monitoring

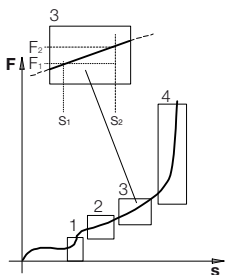
Touch panel, 7 inch (other sizes on request)

- Setting mode and normal operation
- Select "Join to force" or "Join to position"
- Variable rapid/creep speed control by using a frequency converter
- Indication of the maximum press-in force or the position
- Hold time after joining
- Return position to return stroke limitation
- Management of the parameters in freely selectable records
- Evaluation of system errors
- Parameterisation of max. 4 evaluation windows per record (optionally envelope possible)
- Graphical representation (force/stroke diagram) of the press-in process
- About 100 records can be stored
- Logging and archiving of the press-in process
- Various evaluation options, separate batch counters (good/bad), statistical distribution, etc.

Graphical representation of the press-in process

One record consists of:

- Position - off-position (return stroke limitation)
- Position - switching rapid/creep speed



- Max. force
- Min. force
- Max. stroke
- Min. stroke

For the data output of the specified and measured values, the interfaces for Ethernet, SD card and USB are available.

Functional description

Normal operation (press-in operation)

Control variant 1 and 2

After function triggering, the press-in cylinder extends first at rapid speed. After reaching the defined switching point, the speed will be reduced to creep speed.

Join to force:

After reaching the set maximum force and the subsequent hold time, the press-in cylinder retracts to the defined return position.

Join to position:

After reaching the set position, the press-in cylinder retracts to the defined return position.

Manual mode (setting mode)

Control variant 1 and 2

When selecting "setting mode" at the touch panel, the press-in cylinder can be extended or retracted by manual control. Thus, it is for example possible to approach workpiece-specific points, read positions to enter these as parameters.

The press-in cylinder moves with touch control (i.e. only when the push-buttons are pressed) and only at creep speed.

Additional functions

Control variant 2

By means of the touch panel for one of the possible 100 data records the desired press-in forces with the associated stroke points and their admissible limit values are entered and represented on the screen in the form of force/stroke windows.

The press-in force is permanently measured with the force transducer and the stroke of the press-in cylinder with the stroke measuring system. At any preset force/stroke point, the measured values are compared with the admissible limit values.

If one or several measured values are outside the admissible limit values, a NIO error message appears immediately (NIO = not in order).

In order to make a new pressing, the error message at the touch panel must be reset first. If all the measurements are within the set limit, an IO message appears immediately and the next pressing can be effected (IO = in order).

Code for part numbers - portal

6 4 2 1 - 0 X X - X X X

Clear width

- 1 = 350 mm
- 2 = 460 mm
- 3 = 540 mm

Clear height

- 1 = 200 mm
- 2 = 250 mm
- 3 = 300 mm
- 4 = 350 mm
- 5 = 400 mm
- 6 = 450 mm
- 7 = 500 mm
- 8 = 550 mm
- 9 = 600 mm

Press-in force

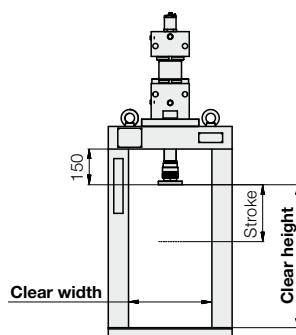
- 1 = 40 kN
- 2 = 63 kN
- 3 = 100 kN

Stroke

- 1 = 100 mm
- 2 = 200 mm
- 3 = 300 mm
- 4 = 400 mm

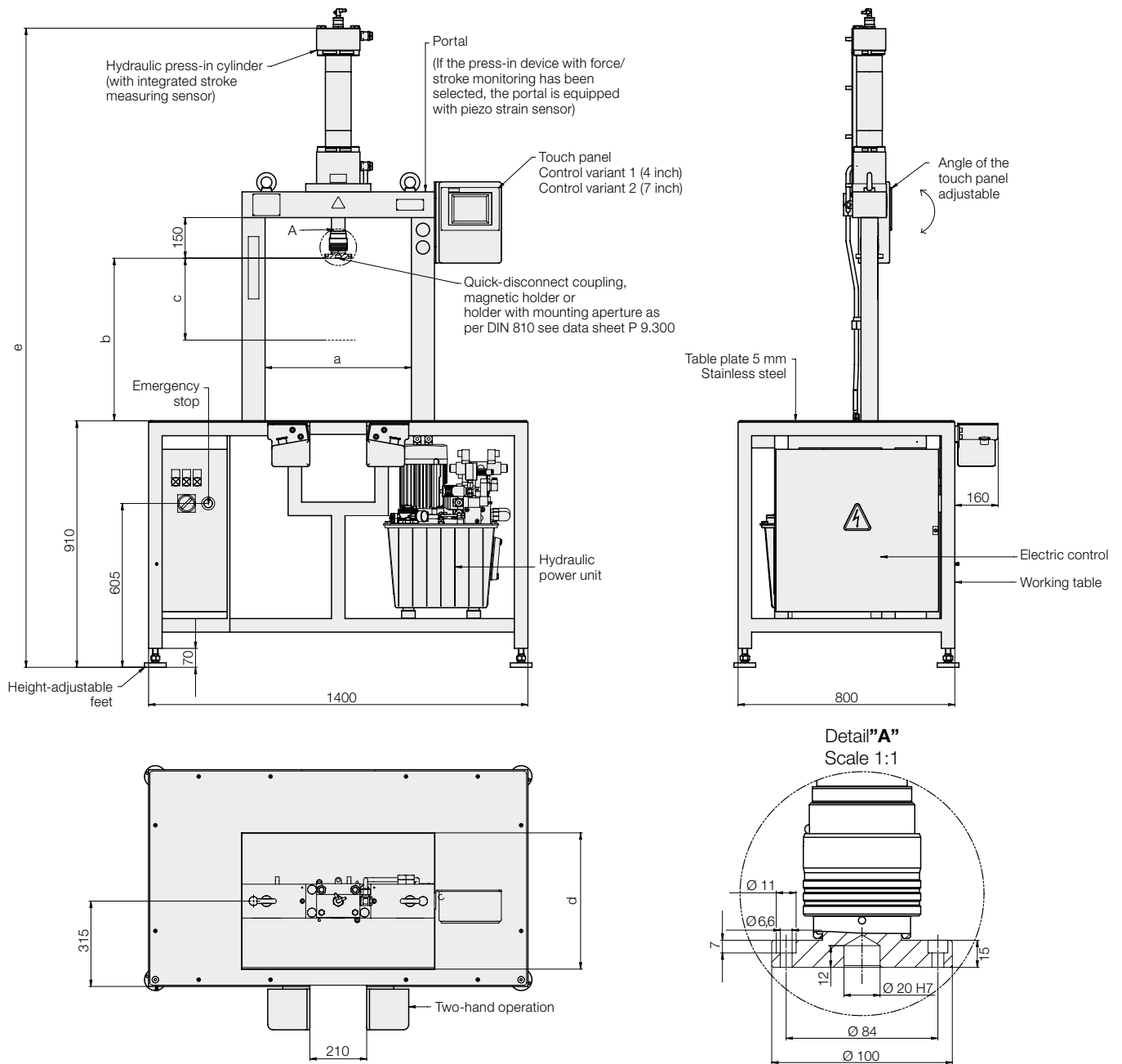
Control variant

- 1 = rapid/creep speed
- 2 = force/stroke monitoring



Example of ordering

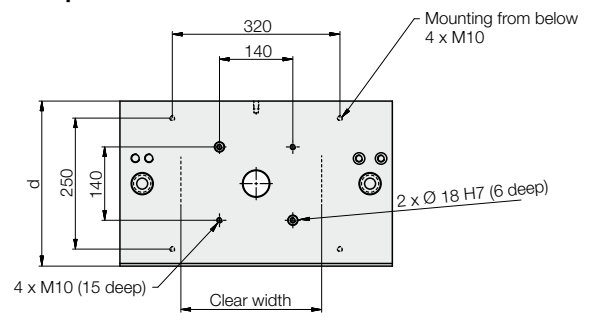
6421-013-212 = Portal hydraulic, clear width 350 mm, clear height 300 mm, 63 kN, stroke 100 mm, force/stroke monitoring



Technical data

Press-in force	[kN]	40 / 63 / 100
a = clear width	[mm]	350 / 460 / 540
b = clear height	[mm]	200 / 250 ... 600
c = cylinder stroke	[mm]	100 / 200 / 300 / 400
d = depth base plate (results from "a")	[mm]	315 / 400 / 500
e = total height	[mm]	1355 + b + stroke
Accuracy - stroke measuring system	[mm]	± 0.2 / 200 mm stroke
Accuracy - force measurement	[kN]	2 % calibrated final value
Speed - creep speed	[mm/s]	approx. 10–30
Speed - rapid speed	[mm/s]	approx. 75–100

Base plate



Service note:

We also carry out maintenance work for you.
For example, the semi-annual stop time measurement as per ZH1/45+6.
Please contact us.