



## Press-In Devices in C-Frame Design

### Electrical drive, max. press-in force 7 to 100 kN

### Rapid/creep speed with force/stroke monitoring



#### Advantages

- High forces / rigid frames
- No cost and time-consuming project planning
- Easy retrofitting of functions or components
- Standardized drilling patterns for workpiece and tool holders provided by the customer
- Interchangeability of the individual elements by standardized drilling patterns
- Ergonomically designed operation
- Good workpiece feeding
- Reduction of the assembly time
- Process safety
- Sales of individual components
- Plug & Play
- High degree of operator friendliness
- Parallel motor is possible

#### Application

These press-in devices are preferably used in assembly processes for the production of longitudinal pressed joints, riveted joints as well as for pressing out and testing of components.

#### Principal use

- Drive technology, gears box assembly
- Couplings, cardan shafts
- Compressors, pumps, hydraulic elements
- Industrial fittings
- Mechanical engineering
- Components for construction and agricultural machinery
- Electronics

#### Operation

For safety reasons, the press-in device is equipped with a two-hand operation. This has a divided design (two separate push-buttons) to allow workpiece feeding from the front. Alternatively, it is also possible to provide safety light grids or a protective covering. In such applications, function triggering is made by a push-button.

#### Available on request:

- Workplace lighting
- Interface to higher-level control
- Aluminium profile table frame
- Customised program sequence
- Tool holders
- Joining tools
- Automatic data record selection by sensors
- Bar code scanner for data record selection

#### Description

The base frame is designed as a working table. Below the table plate there is the electric control that controls the electrical press-in cylinder at the C-frame.

The steel base plate of the C-frame is installed flush with the table plate in the working table, so that the working surface is plane and edges are avoided.

On the base plate any workpiece carriers such as sliding tables can be mounted.

The piston rod of the press-in cylinder is equipped with a quick-changing device, at which the press-in tools can be mounted. This can optionally be replaced by other tool holders.

Thanks to the modular design, the functions of the control as well as mechanical components can be easily exchanged or retrofitted.

The stroke measurement is made by the evaluation of the integrated rotary encoder.

The force measurement (control variant 2) is made indirectly by a strain sensor at the press-in frame.

#### modupress

#### Press-in device



Part no. 6421-3XX-XXX

#### Technical data

Max. press-in force: 7, 25, 55, 100 kN  
 Stroke: 100, 200, 300, 400 mm  
 Drive: electrical  
 Frame type: C-frame design

#### • Control variant 1

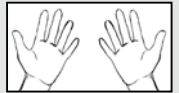
Rapid/creep speed control

#### • Control variant 2

Rapid/creep speed control with force/stroke monitoring

#### Operations

- Two-hand operation
- Start button (for version with safety light curtain)



#### Data interfaces

- Ethernet / SD card / USB

#### modupress interfaces

- Base plate: 140x140 – 4xM10, 2xØ 18H7, 1xØ 50H7
- Tool holder: In the bolt circle Ø 84 mm 4 counterbores M6

#### Accessories

- Workpiece feeders as per data sheet P 9.100
- Protection cabins as per data sheet P 9.200
- Change tools as per data sheet P 9.300

#### Control variants

The press-in devices are available by default with two control variants.

Control variant 1 (rapid/creep speed) or control variant 2 (force/stroke monitoring).

## Input and output functions

### Control variant 1

#### Rapid/creep speed

Touch panel, 4 inch (other sizes on request)

- Setting mode and normal operation
- Select "Join to force" or "Join to position"
- Variable rapid/creep speed control by using a frequency converter
- Indication of the maximum press-in force or the position
- Hold time after joining
- Return position to return stroke limitation
- Management of the parameters in freely selectable records
- Evaluation of system errors

### Control variant 2

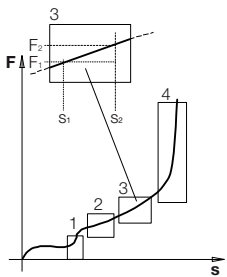
#### Rapid/creep speed with force/stroke monitoring

Touch panel, 12 inch (other sizes on request)

- Setting mode and normal operation
- Select "Join to force" or "Join to position"
- Variable rapid/creep speed control by using a frequency converter
- Indication of the maximum press-in force or the position
- Hold time after joining
- Return position to return stroke limitation
- Management of the parameters in freely selectable records
- Evaluation of system errors
- Parameterisation of max. 4 evaluation windows per record (optionally envelope possible)
- Graphical representation (force/stroke diagram) of the press-in process
- About 100 records can be stored
- Logging and archiving of the press-in process
- Various evaluation options, separate batch counters (good/bad), statistical distribution, etc.

## Graphical representation of the press-in process

One record consists of:



- Position - off-position
- Position - switching rapid/creep speed
- Max. force
- Min. force
- Max. stroke
- Min. stroke

For the data output of the specified and measured values, the interfaces for Ethernet, SD card and USB are available.

## Functional description

### Normal operation (press-in operation)

#### Control variant 1 and 2

After function triggering, the press-in cylinder extends first at rapid speed. After reaching the defined switching point, the speed will be reduced to creep speed.

#### Join to force:

After reaching the set maximum force and the subsequent hold time, the press-in cylinder retracts to the defined return position.

#### Join to position:

After reaching the set position, the press-in cylinder retracts to the defined return position.

### Manual mode (setting mode)

#### Control variant 1 and 2

When selecting "setting mode" at the touch panel, the press-in cylinder can be extended or retracted by manual control. Thus, it is for example possible to approach workpiece-specific points, read positions to enter these as parameters.

The press-in cylinder moves with touch control (i.e. only when the push-buttons are pressed) and only at creep speed.

## Additional functions

### Control variant 2

By means of the touch panel for one of the possible 100 data records the desired press-in forces with the associated stroke points and their admissible limit values are entered and represented on the screen in the form of force/stroke windows.

The press-in force is permanently measured with the force transducer and the stroke of the press-in cylinder is determined with the stroke measuring system via the rotary encoder. At any preset force/stroke point, the measured values are compared with the admissible limit values.

If one or several measured values are outside the admissible limit values, a NIO error message appears immediately (NIO = not in order).

In order to make a new pressing, the error message at the touch panel must be reset first. If all the measurements are within the set limit, an IO message appears immediately and the next pressing can be effected (IO = in order).

## Code for part numbers – C-frame electrical

6 4 2 1 - 3 X X - X X X

### Clear depth

- 1 = 220 mm
- 2 = 330 mm

### Clear height

- 1 = 300 mm
- 2 = 460 mm
- 3 = 680 mm

### Press-in force

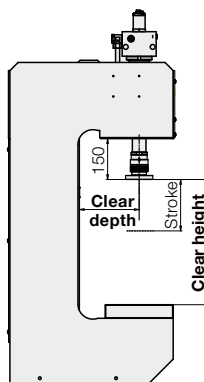
- 1 = 7 kN
- 2 = 25 kN
- 3 = 55 kN
- 4 = 100 kN

### Stroke

- 1 = 100 mm
- 2 = 200 mm
- 3 = 300 mm
- 4 = 400 mm

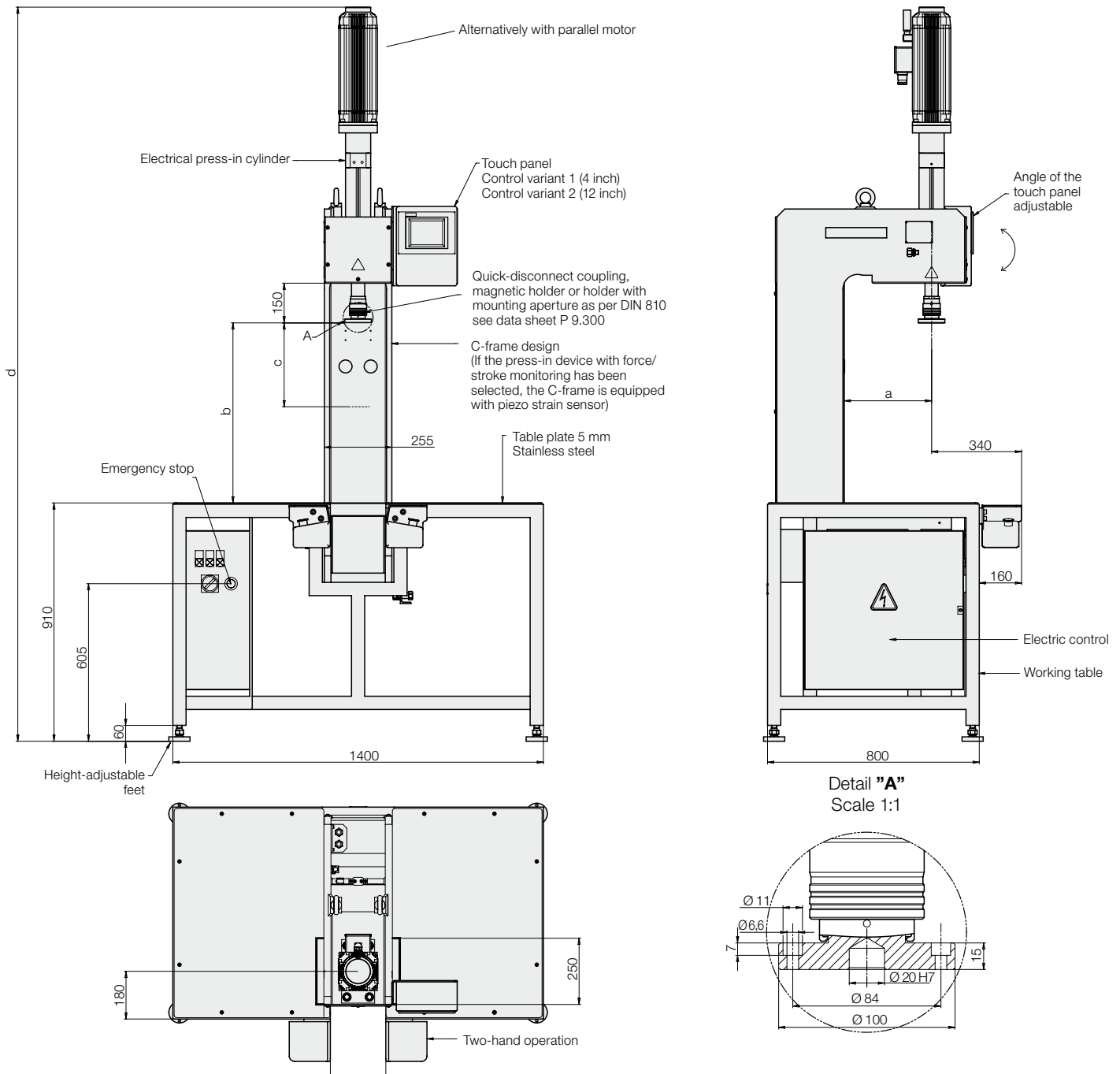
### Control variant

- 1 = rapid/creep speed
- 2 = force/stroke monitoring



## Example of ordering

6421-313-212 = C-frame electrical,  
clear depth 220 mm,  
clear height 680 mm,  
25 kN,  
stroke 100 mm,  
force/stroke monitoring



**Technical data**

Press-in force	[kN]	7 / 25 / 55 / 100
a = clear depth	[mm]	220 / 330
b = clear height	[mm]	300 / 460 / 680
c = cylinder stroke	[mm]	100 / 200 / 300 / 400
d = total height	[mm]	1450 + b + stroke
Accuracy - stroke measuring system*	[mm]	± 0.3 / 200 mm stroke
Accuracy - force measurement	[kN]	2 % calibrated final value
Speed - creep speed	[mm/s]	approx. 10–30
Speed - rapid speed	[mm/s]	approx. 75–100

**Service note:**

We also carry out maintenance work for you.  
For example, the semi-annual stop time measurement as per ZH1/45+6.  
Please contact us.

**Base plate**

