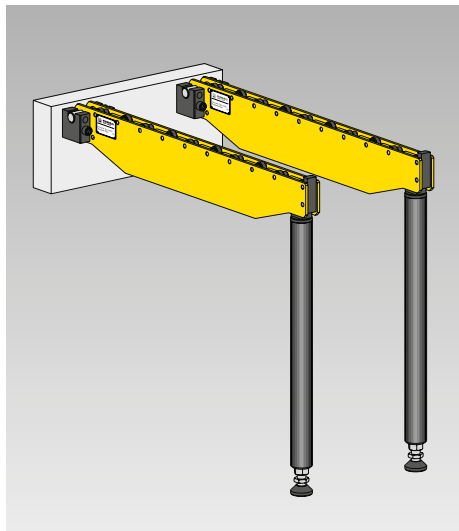




Carrying consoles, supported

for easy and efficient die change on the press bed
 load per pair 20 to 250 kN



Advantages

- Safe handling of heavy dies with ease
- Less downtime by easy and efficient die change
- High-quality, shock-resistant coating
- High load

Application

Carrying consoles allow a safe, effort and time-saving change of heavy dies on the press bed.

Delivery

2 carrying consoles (pair)
 1 set of hooks (4 off)
 2 supporting feet

Description

The carrying consoles are hung in the hooks on the die changing side of the press. The hooks are supplied with the consoles. The consoles are used as a pair. Their size must be selected to suit the highest die weight. In order to cope with heavy and large dies, the console is provided with an additional support.

To compensate the unevenness on the floor, the supports are designed as adjustable supports with a ball-and-socket joint. The support height may be changed subsequently by ± 60 mm.

The die is loaded onto the consoles using a crane or a forklift truck. The carrying rollers consist of high-strength hardened needle bearings. The end stop can be bypassed in one direction.

The surface is provided with a shock-resistant coating in RAL1004, golden yellow.

Accessories

Hooks

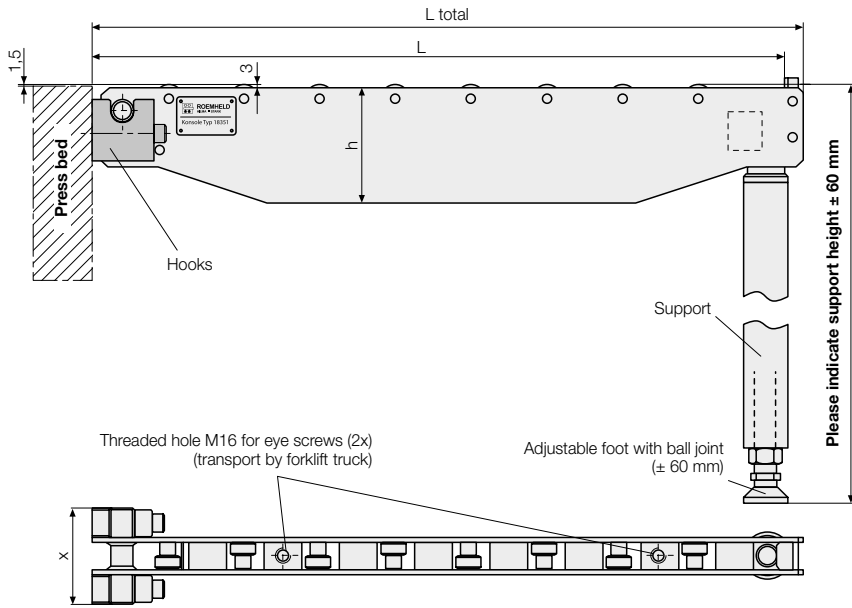
Hanging consoles may be used for several presses. In this case, an additional set of hooks is required and can be ordered as an accessory or replacement. (1 set = 4 off)

Load [kN]	Part no.
20 – 40	7 18350007
60 – 100	7 18350021
160 – 250	7 18350022

Application example

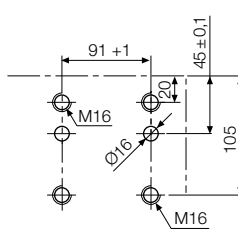
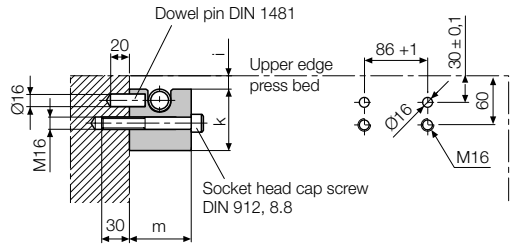


Technical data Dimensions



Hole pattern for hooks

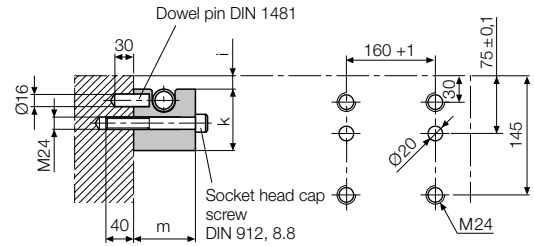
Console 20 – 40 kN Console 60 – 100 kN



Socket head cap screws DIN 912
M16 x 100
Tightening torque $M_a = 120$ Nm
Dowel pin DIN 1481 $\varnothing 16 \times 40$

Socket head cap screws DIN 912
M16 x 50 and M16 x 110
Tightening torque $M_a = 120$ Nm
Dowel pin DIN 1481 $\varnothing 16 \times 50$

Console 160 – 250 kN



Socket head cap screws DIN 912
M24 x 70 and M24 x 160
Tightening torque $M_a = 250$ Nm
Dowel pin DIN 1481 $\varnothing 20 \times 80$

Technical data

Load (pair) [kN]	Support length L [mm]	L total [mm]	h	Dimensions [mm]				Weight [kg]	Part no. (pair)
				i	k	m	x		
20	1000	1040	150	14.5	80	80	125	82	8 1835 3001
20	1250	1290	180	14.5	80	80	125	100	8 1835 3102
20	1600	1640	200	14.5	80	80	125	116	8 1835 3003
40	1000	1040	200	14.5	80	80	125	80	8 1835 3204
40	1250	1290	200	14.5	80	80	125	90	8 1835 3205
40	1600	1640	225	14.5	80	80	125	110	8 1835 3206
60	1000	1030	200	5	115	100	131	85	8 1835 3209
60	1250	1280	220	5	115	100	131	100	8 1835 3210
60	1600	1630	240	5	115	100	131	125	8 1835 3211
60	2000	2030	270	5	115	100	131	150	8 1835 3212
100	1250	1280	250	5	115	100	131	115	8 1835 3213
100	1600	1630	280	5	115	100	131	140	8 1835 3214
100	2000	2030	320	5	115	100	131	175	8 1835 3215
160	1600	1685	260	5	170	150	216	390	8 1835 3216
160	2000	2085	260	5	170	150	216	475	8 1835 3217
160	2500	2585	280	5	170	150	216	605	8 1835 3218
250	2500	2585	360	5	170	150	216	615	8 1835 3220

Delivery

2 carrying consoles (pair)
1 set of hooks (4 off)
2 supporting feet

Please specify the exact support height when ordering.

Example of ordering:

8 1835 3001, support height 1000 mm

Console 1000 mm long

max. 20 kN

Support height 1000 mm